

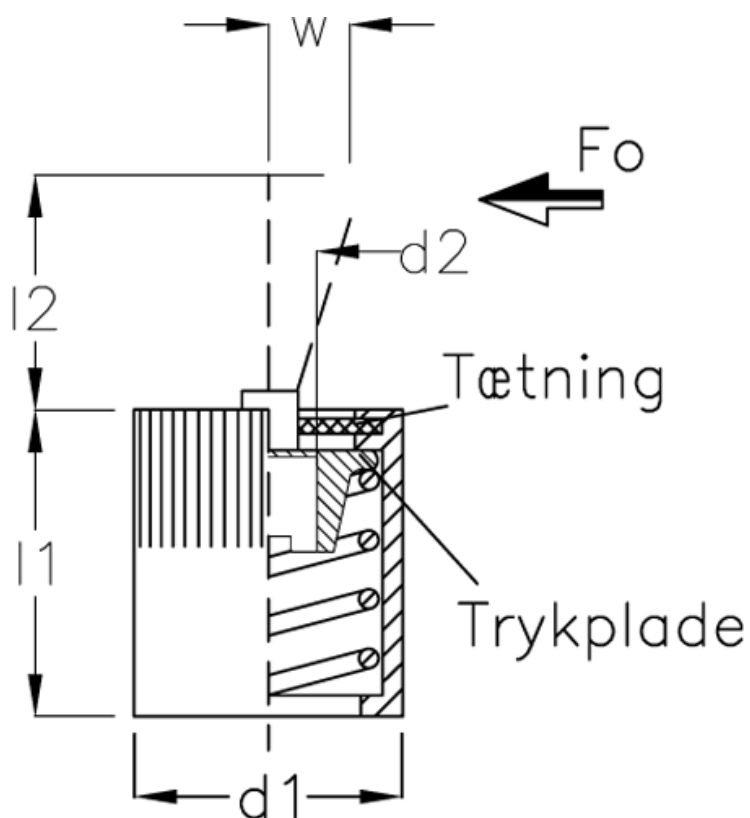
# Data Sheet



Article number: 20100008

Description: E+G  
Side thrust pin GN 714-10-20

## Measures



d1	= 10
d2	= M4
d3	= 10
H	= 12
l1	= 12
l2	= 4.0
screw driver	= GN 715.1-5
Side power N at l2 = 20	

W = 1.6